



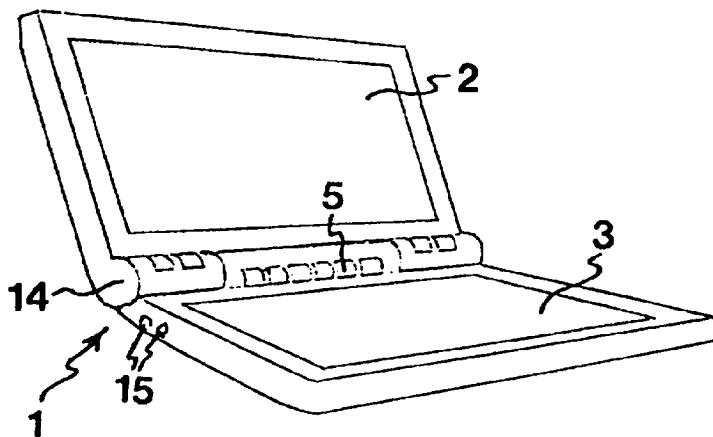
INTERNATIONAL APPLICATION PUBLISHED UNDER THE PATENT COOPERATION TREATY (PCT)

<p>(51) International Patent Classification ⁶ : G06F 15/02, 1/16</p>	<p>A1</p>	<p>(11) International Publication Number: WO 97/45794 (43) International Publication Date: 4 December 1997 (04.12.97)</p>
<p>(21) International Application Number: PCT/SE96/00709 (22) International Filing Date: 30 May 1996 (30.05.96) (71)(72) Applicant and Inventor: HENSEL, Martin [SE/SE]; Lycko-Pers väg 13, S-224 66 Lund (SE). (74) Agent: AWAPATENT AB; P.O. Box 5117, S-200 71 Malmö (SE).</p>	<p>(81) Designated States: AL, AM, AT, AT (Utility model), AU, AZ, BB, BG, BR, BY, CA, CH, CN, CZ, CZ (Utility model), DE, DE (Utility model), DK, DK (Utility model), EE, EE (Utility model), ES, FI, FI (Utility model), GB, GE, HU, IS, JP, KE, KG, KP, KR, KZ, LK, LR, LS, LT, LU, LV, MD, MG, MK, MN, MW, MX, NO, NZ, PL, PT, RO, RU, SD, SE, SG, SI, SK, SK (Utility model), TJ, TM, TR, TT, UA, UG, US, UZ, VN, ARIPO patent (KE, LS, MW, SD, SZ, UG), Eurasian patent (AM, AZ, BY, KG, KZ, MD, RU, TJ, TM), European patent (AT, BE, CH, DE, DK, ES, FI, FR, GB, GR, IE, IT, LU, MC, NL, PT, SE), OAPI patent (BF, BJ, CF, CG, CI, CM, GA, GN, ML, MR, NE, SN, TD, TG).</p> <p>Published With international search report. In English translation (filed in Swedish).</p>	

(54) Title: COMPUTER INCLUDING AT LEAST TWO DISPLAYS

(57) Abstract

A computer arrangement (1) which comprises one and only one computer and at least two displays (2, 3). One of the displays (2, 3) is arranged at least for presentation of information, and another of the displays (2, 3) is arranged for input of information by means of the touch screen technique. Both displays (2, 3) are adapted to be active simultaneously.



FOR THE PURPOSES OF INFORMATION ONLY

Codes used to identify States party to the PCT on the front pages of pamphlets publishing international applications under the PCT.

AL	Albania	ES	Spain	LS	Lesotho	SI	Slovenia
AM	Armenia	FI	Finland	LT	Lithuania	SK	Slovakia
AT	Austria	FR	France	LU	Luxembourg	SN	Senegal
AU	Australia	GA	Gabon	LV	Latvia	SZ	Swaziland
AZ	Azerbaijan	GB	United Kingdom	MC	Monaco	TD	Chad
BA	Bosnia and Herzegovina	GE	Georgia	MD	Republic of Moldova	TG	Togo
BB	Barbados	GH	Ghana	MG	Madagascar	TJ	Tajikistan
BE	Belgium	GN	Guinea	MK	The former Yugoslav Republic of Macedonia	TM	Turkmenistan
BF	Burkina Faso	GR	Greece	ML	Mali	TR	Turkey
BG	Bulgaria	HU	Hungary	MN	Mongolia	TT	Trinidad and Tobago
BJ	Benin	IE	Ireland	MR	Mauritania	UA	Ukraine
BR	Brazil	IL	Israel	MW	Malawi	UG	Uganda
BY	Belarus	IS	Iceland	MX	Mexico	US	United States of America
CA	Canada	IT	Italy	NE	Niger	UZ	Uzbekistan
CF	Central African Republic	JP	Japan	NL	Netherlands	VN	Viet Nam
CG	Congo	KE	Kenya	NO	Norway	YU	Yugoslavia
CH	Switzerland	KG	Kyrgyzstan	NZ	New Zealand	ZW	Zimbabwe
CI	Côte d'Ivoire	KP	Democratic People's Republic of Korea	PL	Poland		
CM	Cameroon	KR	Republic of Korea	PT	Portugal		
CN	China	KZ	Kazakstan	RO	Romania		
CU	Cuba	LC	Saint Lucia	RU	Russian Federation		
CZ	Czech Republic	LI	Liechtenstein	SD	Sudan		
DE	Germany	LK	Sri Lanka	SE	Sweden		
DK	Denmark	LR	Liberia	SG	Singapore		
EE	Estonia						

COMPUTER INCLUDING AT LEAST TWO DISPLAYSField of the Invention

The present invention relates to a computer arrangement comprising one computer and at least two displays.

Background Art

5 Different types of computers are today used to a great extent for processing and presenting of information. They often have a keyboard for input of information and a display for presentation thereof. The keyboard has a limited set of characters, which of course is dis-
10 advantageous to the user. The limited set of characters strongly deteriorates the possibilities of creative work, such as the writing of formulae and the drawing of figures. Moreover, a keyboard is an unwieldy implement especially since the noise of the keys being pressed may
15 disturb people sitting in the vicinity of the computer.

Recently different types of so-called pen computers have been developed. These comprise a pen for input of information on a display. The display functions according to the touch screen technique, i.e. it senses the appli-
20 cation of the pen, and the positions marked by the pen are shown on the display. Pen computers are used for e.g. filling in various kinds of forms. After the user has filled in the form, use is made of a character interpretation program for converting the filled-in characters
25 into a code that is processable by the computer. The drawback of this method, however, is that there is today no character interpretation program available that functions in a satisfactory manner. The filled-in characters are interpreted incorrectly, which may have disastrous
30 consequences.

A further considerable drawback of today's computer technique appears when the user wants to make notes regarding information shown on a display. The user must then put up with external aids such as pen and paper or

another computer. It goes without saying that this is disadvantageous when the user is reading a textbook or a scientific publication on the display and wants to make notes concerning the text presented on the display.

5 Object of the Invention

The object of the present invention is to provide a computer arrangement which obviates the above-mentioned drawbacks of prior art technique.

Summary of the Invention

10 According to the invention, a computer arrangement has therefore been provided, which comprises one and only one computer and at least two displays according to claim 1. The invention is based on the knowledge that at least two displays are necessary along with a single computer
15 for simultaneous active presentation and active input of information to be effected. The inventive computer arrangement permits a user to read information presented on a display while inputting notes on another display. By simultaneousness is here meant that the user does not
20 notice an interruption in any of the displays since they are always active simultaneously. For instance, for a student attending a lecture, this is an excellent implement; the computer arrangement replaces unwieldy course books and scribbling pads. Moreover, the touch screen
25 technique makes the input smooth and easy while those sitting around the user are not disturbed, in contrast to the case involving computer arrangements which utilise a keyboard for input.

According to a preferred embodiment as defined in
30 claim 2, the computer arrangement comprises software for linking parts of the information presented on the one display and parts of the information presented on the other display. The software can easily be produced by a person skilled in the art by means of known software
35 technique. The linking means that the information that is input on a display is mapped onto, or connected to, information presented on a display. The user selects which

parts of the information presented on the displays that are to be linked: the entire content on the displays or parts thereof. In the example involving a student at a lecture, this means that he may make notes concerning a certain page in the textbook, for instance an explanation of a certain term, and enclose these notes with the page.

The invention also comprises according to claim 3 means for storing the linked information. The means may consist of a hard disk, a floppy disk drive with a disk or some other known means for storing of data. Whenever the user wants to see the stored, linked information, this is fetched from the storing means and presented on one or more displays.

The display intended for input and, of course, presentation of information controls according to claim 4 the display intended for presentation of information. This controlling is carried out by means of software in the computer arrangement. This software is produced by means of suitable software technique.

According to claim 5, the computer arrangement comprises software for presenting on the display intended for presentation all the information or parts of the information that is input on the display intended for input.

According to claim 6, the computer arrangement comprises means for storing all the information or parts of the information that is presented on one of the displays. These means may consist of one or some of the means mentioned above in connection with claim 3.

According to a preferred embodiment as defined in claim 7, the computer arrangement comprises one or more connecting means for connecting external units. Examples of such units are printer, scanner, digital camera, CD-ROM drive, different types of modem, memories, keyboard, mouse, other computers, displays etc.

According to claim 8, the computer arrangement also comprises an orienting means for rotating the information

presented on the displays by steps of 90 degrees. This results in easy adaptation of the location of the computer arrangement as needed. Moreover, this means that the user-friendliness of the computer arrangement is the same irrespective of whether the user is right-handed or left-handed. The software belonging to the orienting means is produced according to known software technique.

According to claim 9, the computer arrangement comprises on at least one of the displays at least one simulated set of keys which is produced by means of the touch screen technique known to those skilled in the art. Also users who are accustomed to and maybe dependent on an ordinary set of keys may thus gain great advantages from the inventive computer arrangement.

15 Brief Description of the Drawings

The invention will now be described in more detail with reference to the accompanying drawings, in which

Fig. 1 is a block diagram of a preferred embodiment of the computer arrangement according to the invention, and

Fig. 2 is a schematic perspective view of a preferred embodiment of the computer arrangement according to the invention.

Description of a Preferred Embodiment

Fig. 1 shows a block diagram of a computer arrangement 1 according to a preferred embodiment. The computer arrangement 1 comprises a display 2, which in this embodiment is intended only for presentation of information, hereinafter referred to as reading display; a display 3 intended for input of information, hereinafter referred to as writing display; a touch unit 4 enabling input on the writing display 3 by means of the touch screen technique; and a keyboard 5 comprising a number of keys for activating different functions of the computer arrangement 1. The computer arrangement 1 also comprises a bus 6 for commands and data, to which the reading display 2, the writing display 3, the touch unit 4 and the

keyboard 5 are connected via drive units 7. Furthermore, the computer arrangement 1 comprises a central processing unit 8 which comprises a processor; a memory unit 9; a disk control 10; and an interface 11 to external units.

5 The central processing unit 8, the memory unit 9, the disk control 10 and the interface 11 are all connected to the common bus 6. Besides, the disk control 10 is connected to a hard disk 12 and a disk drive 13 for controlling these. The computer arrangement 1 also comprises
10 software for obtaining the functions described below. Such software will not be described here. The man skilled in the art has no difficulty in generating such software.

Fig. 2 is a perspective view of the computer arrangement 1 according to a preferred embodiment. The
15 computer arrangement 1 is designed as a portable computer which can be folded to a closed unit when not in operation. To accomplish the folding, the computer arrangement 1 comprises a hinge 14. The reading display 2, the writing display 3 and the keyboard 5 can be seen in
20 Fig. 2. Fig. 2 also shows connecting means 15 for connecting various external units, such as those mentioned above. According to this embodiment, the computer arrangement 1 is designed as a binder having a lower weight than conventional computer arrangements, which
25 means that it will be easy to handle and, for instance, can be piled just as a binder in a bookcase.

The readingscreen 2 presents information which via the bus has been fetched from e.g. the hard disk or from a disc. On the writing display 3 input takes place by means
30 of the touch screen technique. This technique means that a keyboard is not required for the input. On the contrary, a pen or a finger may be used since the writing display senses any touch. Besides, the writing display 3 of the computer arrangement 1 is according to the embodiment
35 suitably provided with a simulated set of keys, the user inputting the corresponding characteristics by touching the desired character field on the writing display 3. As

mentioned above, an important advantage of the inventive computer arrangement 1 is that presentation on the reading screen 2 actively takes place "simultaneously" as input takes place on the writing display 3. The user does not
5 notice any interruption between the two functions reading and writing. A further considerable advantage is that the need of a keyboard is obviated. The possibility of using instead a pen or a finger for making notes on the writing display 3, which originate from, for instance, the in-
10 formation presented on the reading display 2, obviates the restrictions resulting from a keyboard. There are in fact many applications where a keyboard fails, such as when drawing technical sketches, graphs, formulae and the like. When a keyboard is used, such applications necessitate
15 special programs which are expensive and often difficult to obtain, if at all available. To rely on such technique when writing, for instance, scientific thoughts and ideas is impractical. The inventive computer arrangement 1 renders it possible for e.g. a scientist to quickly write
20 on the writing display 3 creative and complicated lines of thought and sketches without using peripheral equipment and expensive special programs, while studying on the reading display 2 information forming the basis of his lines of thoughts. Moreover, the invention permits the
25 notes to be made by means of alphabets other than the Latin, for instance the Greek or Cyrillic alphabet. This means in turn that the inventive computer arrangement 1 is an excellent aid when translating text from one alphabet to another. Needing to use a single computer for the above
30 and many other applications is unique.

All controlling of the presentation of information on the reading display 2 takes place from the writing display 3. The synchronisation and connection between the reading display 2 and the writing display 3 are carried
35 out by means of an executive program. The computer arrangement 1 comprises software for presenting on the writing display 3 menus, in which commands can be se-

lected for the controlling of the functions of the computer arrangement 1. These functions include fetching of information from the memory unit 9, the hard disk 12, the disk drive 13 or an external unit via the interface 11
5 for presentation on the reading display 2; connecting of selected parts of the information presented on the reading display 2 to selected parts of the information input on the writing display 3; storing of the connected or linked information in the memory unit 9, the hard disk
10 12, the disk drive 13 or an external unit via the interface 11; etc.

The keyboard 5 comprises keys for separate switching on and off of the entire computer arrangement 1, the reading display 2 and the writing display 3 separately.
15 The writing display 3 can be used separately and independently of the reading display 2. Besides there are keys for conventional display adjustments and an orientation key. The orientation key controls the orientation of the information presented on the displays 2, 3 in relation to the computer arrangement 1, i.e. by the user
20 pressing the orienting key, the contents on the displays 2, 3 are rotated by steps of 90 degrees. This means that the computer arrangement 1 can be turned in the desired position as needed. This possibility of orientation together with the hinge 14 afford great flexibility in respect of working position. It is in fact well known to reduce the risk of joint and muscle injuries by changing the working position at regular intervals. For instance, the user may work with the writing display 3 in
25 a horizontal position and the reading display 2 in a vertical position, or with both in a horizontal position. Depending on whether the user is right-handed or left-handed, he may have the writing display 3 on the right and the reading display 2 on the left or vice versa.

35 The construction according to this preferred embodiment with a dedicated reading display 2 and a dedicated writing display 3 confers the great advantage that the

definition of the respective displays can be optimised for reading and for writing, respectively. For instance, letting the writing display 3 be a black-and-white display means that excellent definition can be achieved at a lower cost than for the corresponding definition of a colour screen. A black-and-white writing screen 3 is in most cases sufficiently functional when the computer arrangement 1 is used for notes made by hand.

Alternative Embodiments

Several modifications of the inventive computer arrangement are of course possible within the scope of the invention. Some examples follow below.

The displays can be colour displays or black-and-white displays, as required.

Even if the computer arrangement according to the preferred embodiment is designed as a portable computer, it may be more or less stationary.

The computer arrangement may also comprise other types of memory and storage units than the above-mentioned, such as a CD-ROM drive.

The above-described block diagram is only one example of a suitable embodiment, and other constructions are possible without deviating from the inventive concept.

The number of connecting means for external units may vary according to application.

CLAIMS

1. A computer arrangement (1) comprising one and
5 only one computer and at least two displays (2, 3),
characterised in that one of the displays (2,
3) is adapted at least to present information, and an-
other of the displays (2, 3) is adapted to input informa-
tion by means of the touch screen technique, the two dis-
10 plays (2, 3) being adapted to be active simultaneously.

2. A computer arrangement (1) as claimed in claim 1,
characterised in that it comprises software
for linking all the information or parts of the informa-
tion presented on the one display (2 or 3) and all the
15 information or parts of the information presented on the
other display (2 or 3).

3. A computer arrangement (1) as claimed in claim 2,
characterised in that it comprises means for
storing the linked information.

20 4. A computer arrangement (1) as claimed in any one
of the preceding claims, characterised in
that it comprises software for controlling, from the dis-
play (3) intended for input of information, the display
(2) intended for presentation of information.

25 5. A computer arrangement (1) as claimed in any one
of the preceding claims, characterised in
that it comprises software for presenting, on the display
(2) intended for presentation of information, information
that is input on the display (3) intended for input of
30 information.

6. A computer arrangement (1) as claimed in any one
of the preceding claims, characterised in
that it comprises means for storing the information pre-
sented on one of the displays (2, 3).

35 7. A computer arrangement (1) as claimed in any one
of the preceding claims, characterised in

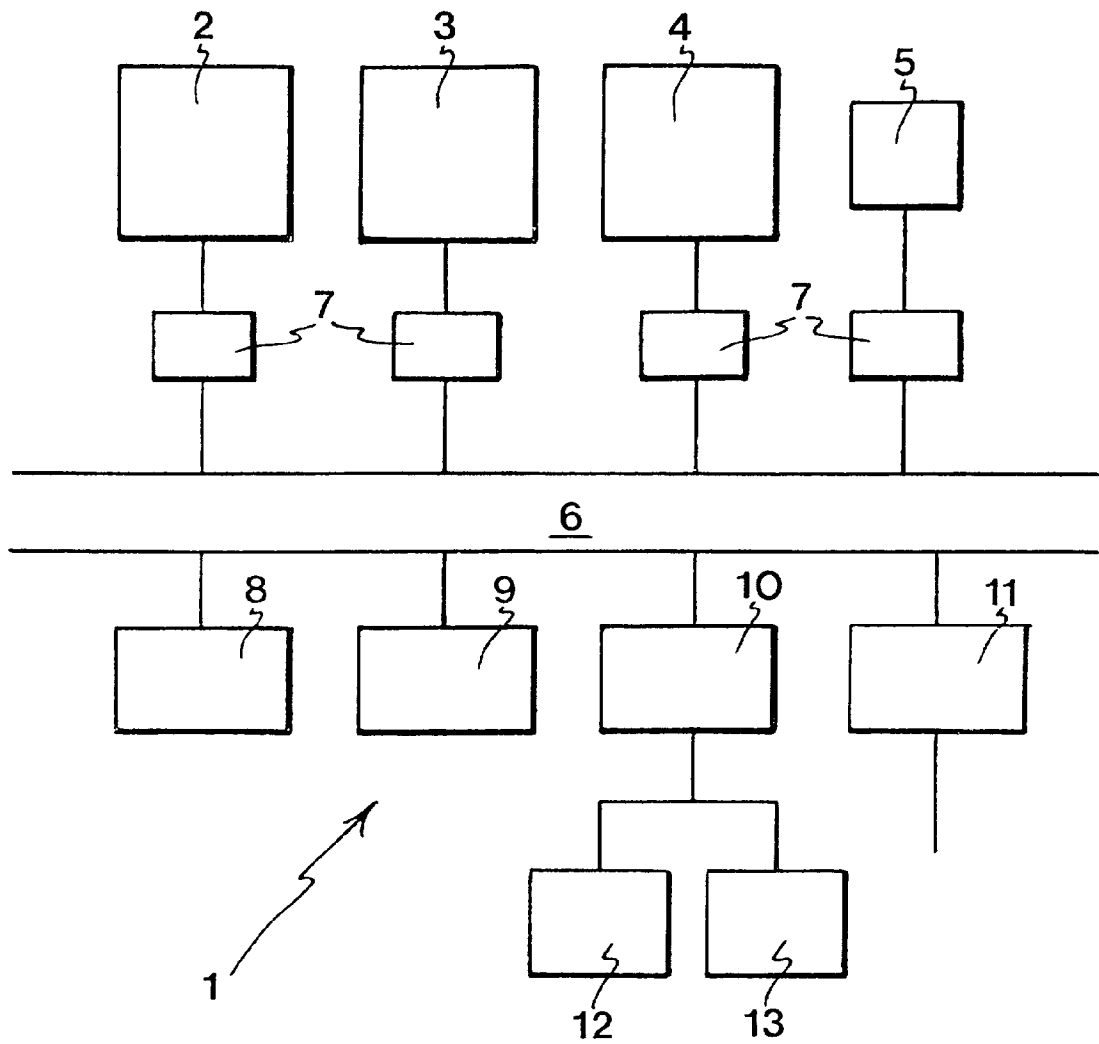
that it comprises at least one connecting means (15) for connecting an external unit.

8. A computer arrangement (1) as claimed in any one of the preceding claims, characterised in
5 that it comprises an orienting means for rotating the information presented on the displays (2, 3) by steps of 90 degrees, such that the computer arrangement (1) can be turned by steps of 90 degrees.

9. A computer arrangement (1) as claimed in any one
10 of the preceding claims, characterised in that the display (3) intended for input of information comprises at least one simulated keyboard which is produced by means of the touch screen technique.

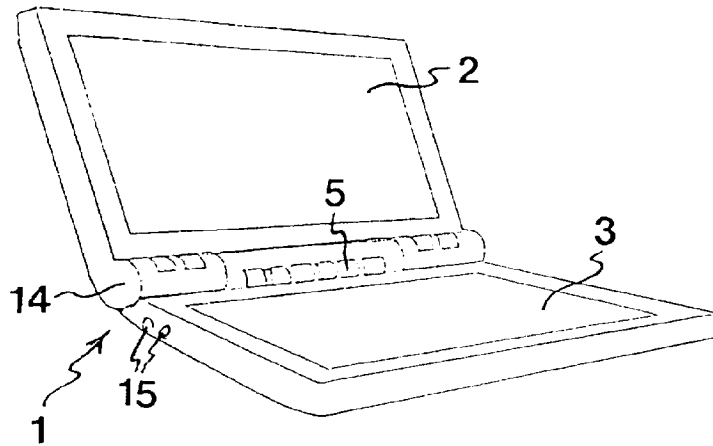
1/2

FIG 1



2/2

FIG 2



INTERNATIONAL SEARCH REPORT

International application No.

PCT/SE 96/00709

A. CLASSIFICATION OF SUBJECT MATTER		
IPC6: G06F 15/02, G06F 1/16 According to International Patent Classification (IPC) or to both national classification and IPC		
B. FIELDS SEARCHED		
Minimum documentation searched (classification system followed by classification symbols)		
IPC6: G06F		
Documentation searched other than minimum documentation to the extent that such documents are included in the fields searched		
SE,DK,FI,NO classes as above		
Electronic data base consulted during the international search (name of data base and, where practicable, search terms used)		
WPI		
C. DOCUMENTS CONSIDERED TO BE RELEVANT		
Category*	Citation of document, with indication, where appropriate, of the relevant passages	Relevant to claim No.
A	EP 0390611 A2 (HIUKA SANGYO KABUSHIKI KAISHA ET AL), 3 October 1990 (03.10.90), claim 1 --	1-9
A	Patent Abstracts of Japan, Vol 1, No 375, P-644, abstract of JP,A,62-144268 (BROTHER IND LTD), 27 June 1987 (27.06.87) --	1,5-9
A	EP 0337401 A2 (BERTELSMANN AKTIENGESELLSCHAFT), 18 October 1989 (18.10.89), column 2, line 55 - column 4, line 13 --	1-9
A	US 5202844 A (SHIZUO KAMIO ET AL), 13 April 1993 (13.04.93), column 6, line 5 - line 40 --	1,5-8
<input type="checkbox"/> Further documents are listed in the continuation of Box C. <input checked="" type="checkbox"/> See patent family annex.		
* Special categories of cited documents: "A" document defining the general state of the art which is not considered to be of particular relevance "E" earlier document but published on or after the international filing date "L" document which may throw doubts on priority claim(s) or which is cited to establish the publication date of another citation or other special reason (as specified) "O" document referring to an oral disclosure, use, exhibition or other means "P" document published prior to the international filing date but later than the priority date claimed "I" later document published after the international filing date or priority date and not in conflict with the application but cited to understand the principle or theory underlying the invention "X" document of particular relevance: the claimed invention cannot be considered novel or cannot be considered to involve an inventive step when the document is taken alone "Y" document of particular relevance: the claimed invention cannot be considered to involve an inventive step when the document is combined with one or more other such documents, such combination being obvious to a person skilled in the art "&" document member of the same patent family		
Date of the actual completion of the international search		Date of mailing of the international search report
10 February 1997		18 -02- 1997
Name and mailing address of the ISA/ Swedish Patent Office Box 5055, S-102 42 STOCKHOLM Facsimile No. +46 8 666 02 86		Authorized officer Friedrich Kühn Telephone No. +46 8 782 25 00

INTERNATIONAL SEARCH REPORT

Information on patent family members

International application No.

PCT/SE 96/00709

Patent document cited in search report	Publication date	Patent family member(s)	Publication date
EP-A2- 0390611	03/10/90	JP-A- 2257364	18/10/90
		US-A- 5239665	24/08/93
EP-A2- 0337401	18/10/89	NONE	
US-A- 5202844	13/04/93	EP-A- 0458316	27/11/91
		JP-A- 4025926	29/01/92
		JP-A- 4025928	29/01/92
		JP-A- 4043420	13/02/92
		JP-A- 4109330	10/04/92